



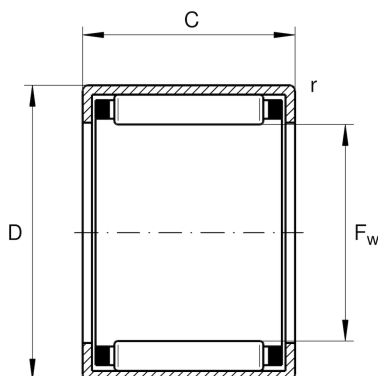
HK3520-AS1-B

Drawn cup needle roller bearing open end

Schaeffler ID:
0068100470000

Drawn cup needle roller bearing open end
HK...AS1-B, single row, with cage

Technical information



Main Dimensions & Performance Data

| | | |
|------------------------|-------------|---------------------------------------|
| F_w | 35 mm | Under roller diameter |
| D | 42 mm | Outside diameter |
| C | 20 mm | Width |
| C_r | 23.800 N | Basic dynamic load rating, radial |
| C_{0r} | 46.000 N | Basic static load rating, radial |
| C_{ur} | 6.000 N | Fatigue load limit, radial |
| n_G | 7.500 1/min | Limiting speed |
| $n_{G \text{ Grease}}$ | 4.500 1/min | Limiting speed for grease lubrication |
| n_{gr} | 5.500 1/min | Reference speed |
| | 43,988 g | Weight |

Dimensions

| | | |
|------------|--------|---------------------------|
| r_{\min} | 0,8 mm | Minimum chamfer dimension |
|------------|--------|---------------------------|

Temperature range

| | | |
|------------|--------|----------------------------|
| T_{\min} | -30 °C | Operating temperature min. |
| T_{\max} | 140 °C | Operating temperature max. |

Additional information

| | |
|---------------|-------------------------|
| SD35X42X4 | Sealing ring |
| G35X42X4 | Sealing ring 2 |
| LR30X35X20,5 | Suitable inner rings LR |
| IR30X35X20-XL | Suitable inner rings IR |